

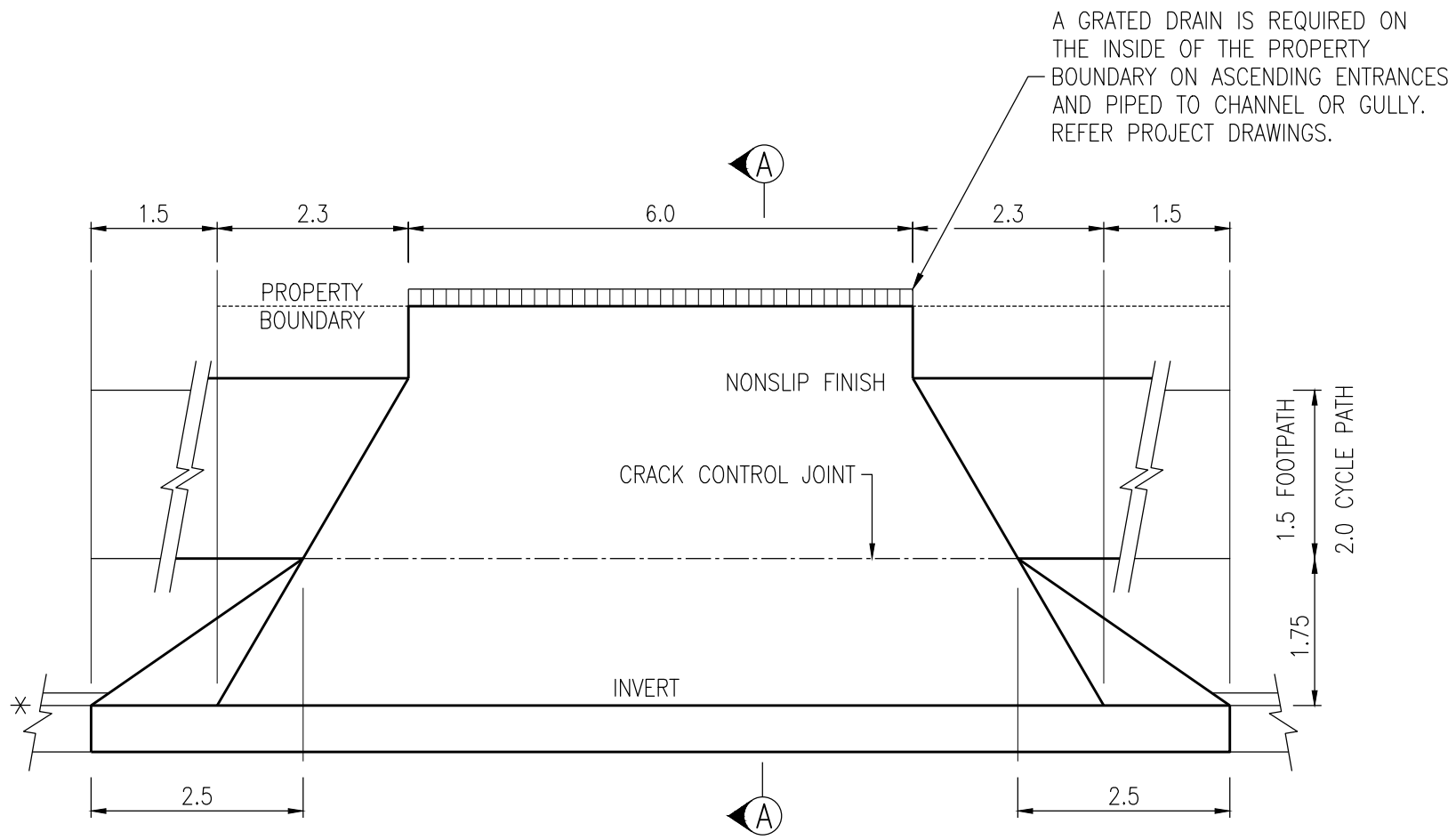
SECTIONAL DETAIL A-A

LEGEND

* NOMINAL KERB LINE (REFER BRC STANDARD DRAWING R1020).

NOTES:

1. CONCRETE N32 IN ACCORDANCE WITH AS1379 AND AS3600.
2. REINFORCING MESH TO AS1304. LAP MESH 250mm.
3. DEPTHS OF CONCRETE AND REINFORCING STEEL SHOWN ARE THE MINIMUM REQUIREMENTS FOR GOOD FOUNDATION CONDITIONS, AND AVERAGE TRAFFIC LOADING. WHERE THIS DOES NOT APPLY, DEPTHS OF CONCRETE AND REINFORCING SHALL BE INCREASED TO SUIT SPECIFIC CONDITIONS.
4. DESIGN OF CROSSINGS MAY VARY WITH THE APPROVAL OF COUNCIL. REFER PROJECT DRAWINGS.
5. EXISTING FOOTPATH PROFILE TO BE MAINTAINED WHERE POSSIBLE.
6. REPROFILE ADJACENT FOOTPATH TO MATCH DRIVEWAY. FOOTPATH EARTHWORKS ADJOINING CONCRETE MUST BE WELL COMPACTED.
7. CONCRETE PATHWAYS ARE TO BE TRANSITIONED OVER THE LONGITUDINAL GRADES NOT EXCEEDING 1 IN 20 TO COMPLY WITH AS1428 IF REQUIRED.
8. FOR COMPACTED FILL SEE AUSPEC C213.36.2.
9. WHERE SUBGRADE IS LESS THAN CBR 5, EXCAVATE AND PROVIDE IMPORTED MATERIAL TO THE SATISFACTION OF THE COUNCIL ENGINEER.
10. DRIVEWAY TO BE CONCRETE WITH A CRACK CONTROL JOINT AT THE PROPERTY BOUNDARY UNLESS OTHERWISE APPROVED. GALV DOWEL BARS TO BE USED.
11. ALL DIMENSIONS ARE IN METRES.
12. COUNCIL WILL NOT GUARANTEE REINSTATEMENT OF NON-STANDARD CONCRETE FINISHES IF COUNCIL NEEDS TO ACCESS INFRASTRUCTURE UNDER DRIVEWAY(EG. PIPES, ETC) OR PROVIDE CONCRETE FOOTPATH ACROSS DRIVEWAY.
13. SHOULD CONCRETE FOOTPATHS EXIST OR BE REQUIRED IN THE AREA, THEN THE CONCRETE FOOTPATH WILL BE CONTINUOUS THROUGH THE PROPOSED DRIVEWAY ACCESS. CONSTRUCTION TO CONFORM TO OTHER DETAILS SHOWN ON THIS PLAN & AS1428.1-2001.
14. DOWEL BARS TO DRIVEWAY - PATH CONNECTION.



PLAN - WIDE VERGE

| Scales |
|--------------|
| NOT TO SCALE |

| Revisions | Verified | Date |
|------------------|----------|------|
| A Original Issue | | |

| Quality Certification | |
|-----------------------|-----------|
| Design: | Verified: |
| Drawing: Tifa | Checked: |
| Approved by Engineer | |
| Date: | RPEQ: |



DRIVEWAYS

Industrial and Commercial Driveway Slab

Two Way Access

| | |
|------------------|------------|
| Standard Drawing | Sheet Size |
| No | A3 |
| R1011 | Rev |